

Features

- Universal Input 90~264V AC
- Approved to UKCA, CE, CCC, cULus, TUV-GS, FCC, RoHS, REACH
- UL/EN 62368-1 Safety Approved
- Meets Efficiency Level VI
- EMC Class B Certified
- Single Output 12V DC



Ideal Power's 40XA-065BQxxxxxx-2.5 65W AC/DC External Desktop Power Supply (PSU) Series are certified to UKCA, CE, CCC, cULus, TUV-GS, FCC, RoHS, REACH & UL 62368-1/EN 62368-1 Standards and comply with (EU) 2019/1782, Level VI Efficiency Regulations. These are primarily used in ITE, Audio & Video Industries and customised solutions are available upon request.

Models

Model Number	Output Voltage	Output Current	Output Power	Efficiency %
40XA065BQ1200500-2.5	12V DC	5A	60W	88

General Specifications

Input Connector	IEC (C14)
Output Connection	2.5x5.5x12.0mm
Number of Outputs	1
Operating Temperature	0~40°C
Energy Efficiency Level	VI
Mounting Style	Desktop
MTBF	50,000 hours calculated at 25°C
Cable Length	1.5M
Cable Type	18AWG UL2468

Input Specifications

Rated Input Voltage	90~264Vac (±10%)
Rated Frequency	47~63Hz
Efficiency Level VI	Level VI / Efficiency (EU) 2019/1782
Input Current	1.5A
Inrush Current	50A Max. / 230Vac (Cold Start At 25°C, Full Load)
Leakage Current	5mA

Output Specifications

Ripple & Noise	200mVp-p Max.
Output Voltage Range	11.4-12.6V
Hold-up Time	10ms at 115 V AC Full Load
Turn on Time	3S Max
Number of Outputs	1
Dielectric Strength	Primary to Secondary :DC 2121V or AC 1500V, 10mA for 1 minute for test type.
Insulation Resistance	10MΩ for 500Vdc
Short Circuit Protection	Auto-recovery.
Input Protection	The switching power supply has a 2 Amps inner current fuse to protect itself.
Output Protection	Removal of an output overload shall provide automatic recovery for the output voltage.

Mechanical Specifications

Housing Material	Fully Enclosed Plastic Case
Overall Dimensions	114x50x34mm

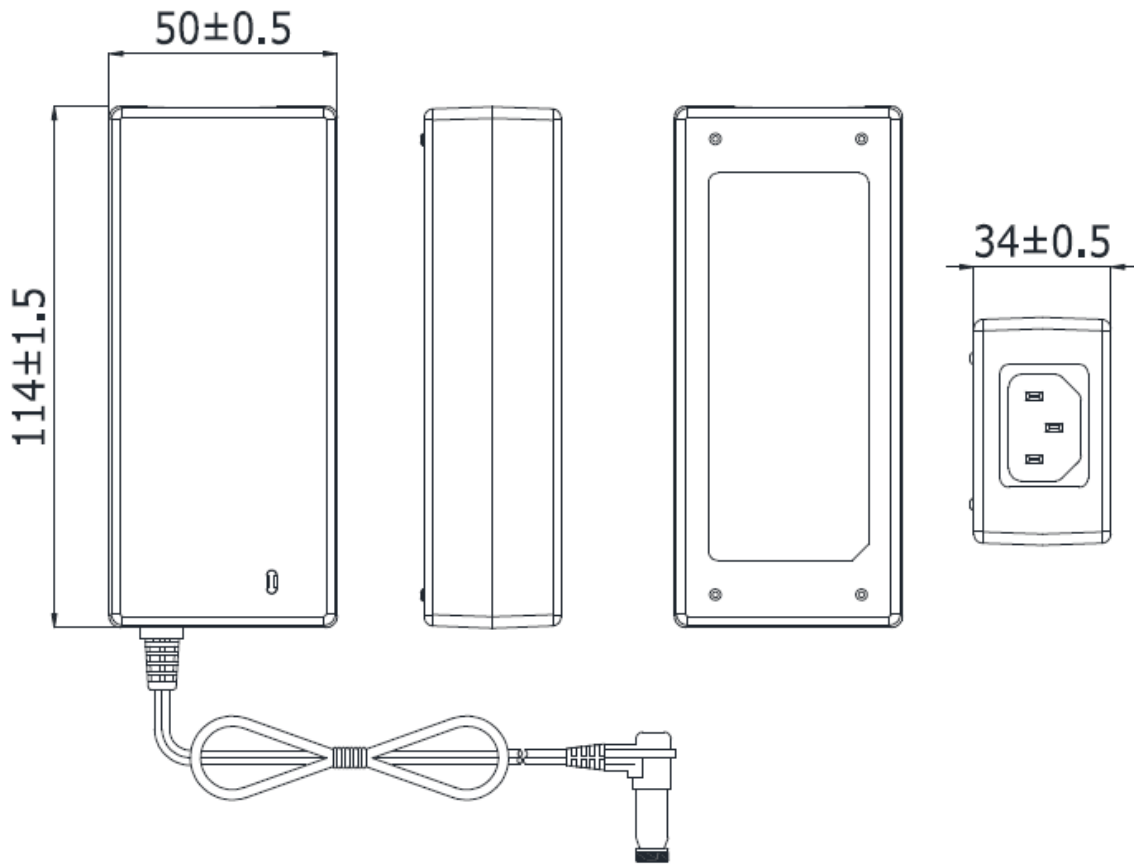
Environmental Considerations

Storage Temperature	-10°C ~ +70 °C
Relative Humidity:	5% ~ +95%
Operation Temperature	0°C ~ 40°C
Relative Humidity	10% ~ 95%

Safety Approvals

Compliance/Certifications	UKCA, CE, CCC, cULus, TUV-GS, FCC, RoHS, REACH
Safety Standard	UL62368-1, EN 62368-1,
EMC Emission	Compliance to EN 55032, EN 55024, EN 55014, FCC

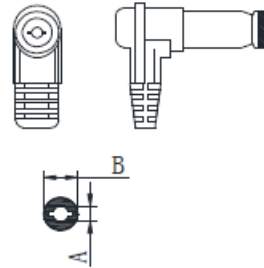
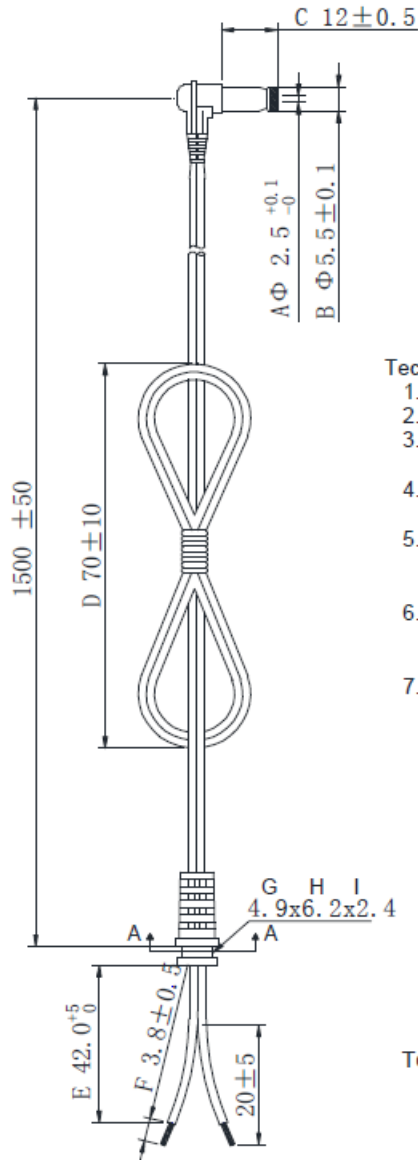
Mechanical Drawing



AC – DC

Mechanical Drawing

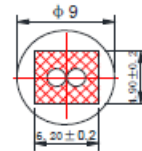
DC CORD



TUNING FORK WITH GROOVE

Technical requirements:

1. Unit: mm
2. Unremarked Tolerance: ±0.3;
3. 18AWGx2C, UL2468; one is black, the other is with white minus sign
4. Mode of connection: wire with white minus sign connect to inner tip
5. Plug bending test: load 200g weight, distance of hanging point and fulcrum: 30cm, angle: 60° 40 times/minute, min 2500 times
6. S/R bending test: load 20LB(9072g), continuous 1minute and distance of hanging point and fulcrum is 30cm, displacement no more than 5mm
7. ROHS 2.0

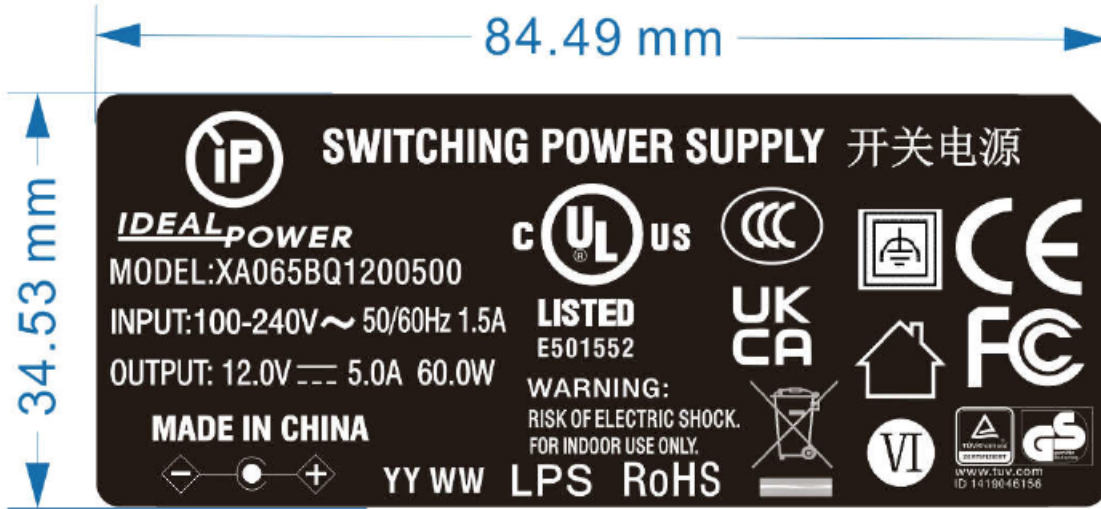


SECTION A-A

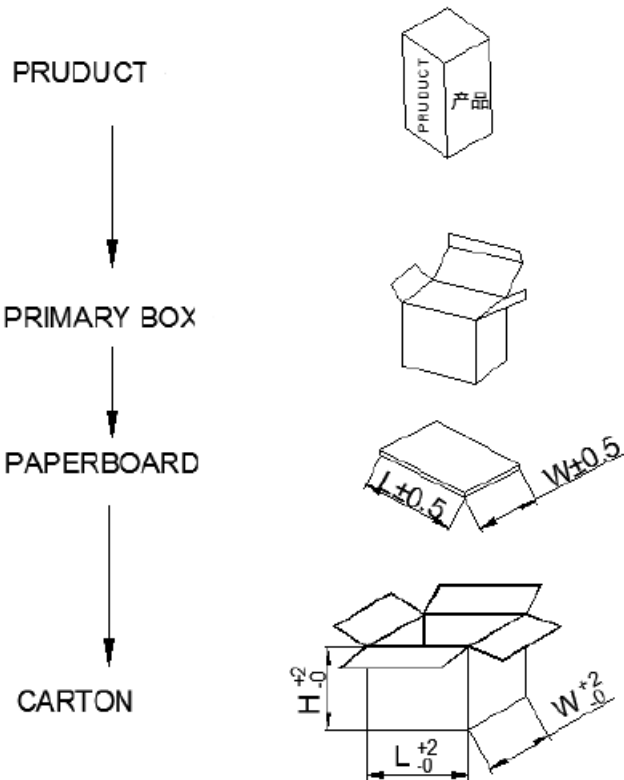
Total length(L): 1500 ± 50 (IQC checks)

AC - DC

Labels



Packaging



DIMENSION(UNIT IN cm):

	L	W	H
WHITE BOX	9.0	4.0	14.0
PAPERBOARD	37.0	37.0	0.5
CARTON	38.5	38.5	30.8

PACKING METHOD:

PAPERBOARD PLACEMENT METHOD	PUT A PAPERBOARD BETWEEN THE TOP AND BOTTOM, TOTAL 2PCS
PACKING METHOD	36PCS/LA IS
QTY	72PCS
N.W.	14.50KG
G.W.	15.65KG

